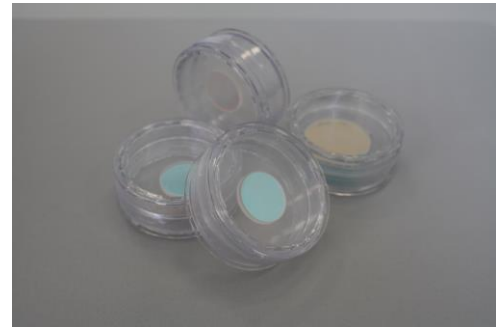


UV IR Cut Filter

Schneider-Kreuznach UV IR Cut filter transmit VIS light and block troublesome UV and IR light. Those popular filters are ideal as sensor cover glasses. The choice of wavelength ranges optimized for the different sensor characteristics ensures the best fitting filter for each application. The UV IR cut filters come with our ultra-low reflection coating.

Schneider -Kreuznach bandpass filters are RoHS conform. Custom sizes are available on request.



Key Features

- Ave. Transmittance 95 %
- Steep Slopes
- Wavelength Tolerance +/- 1 %
- Ultra Low Reflection
- Deep Blocking / High OD

Applications

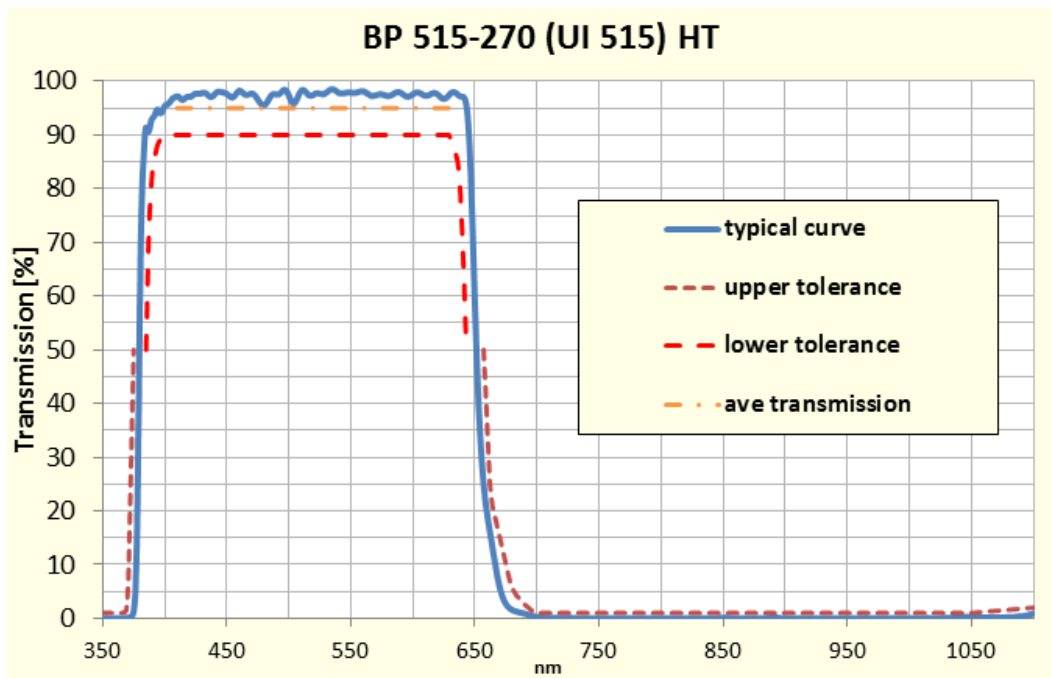
- Machine Vision System
- Inspection systems
- Surveillance cameras
- Viewer

General technical specifications

according to ISO 10110

Parallelism	1'
Surface	19-30mm: 5/2x0,10 C2 x 0,10 L3x0,008 31-50mm: 5/2x0,16 C1 x 0,16 L3x0,008 51-64mm: 5/3x0,16 C3 x 0,16 L3x0,008
Wavefront distortion	19 – 30 mm:13/1 (0.2) 31 – 50 mm:13/1 (0.25) 51 – 64 mm:13/1 (0.35)
Thickness	2.0 +/- 0.08 mm
Climate Testing	
Slow temperature cycling	DIN ISO 9022-2-14-03 -1
Damp heat, cyclic	DIN ISO 9022-2-16-01-1
Chemical resistant	DIN ISO 9011-4-04-05
Adhesive strength	DIN ISO 9211-4-02-03

UV IR Cut Filter BP 515-270 (UI 515) HT



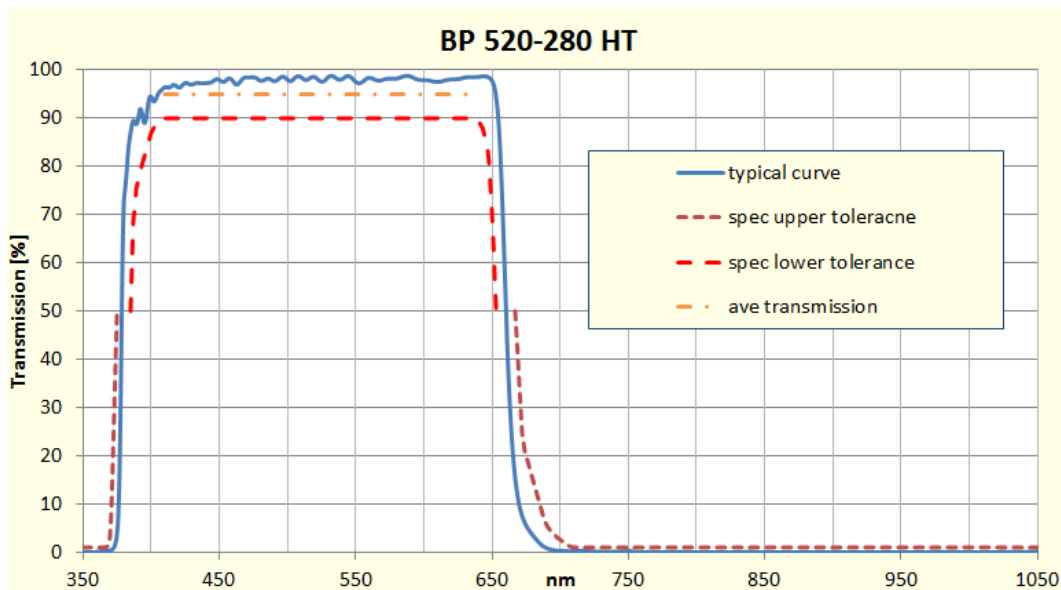
according to ISO 10110

Technical specifications

Angle of incident	0° +/- 8°
Wavelength range	380 +/- 5 nm to 650 +/- 7nm
Transmittance	410 - 630 nm: T _{ave} > 95% 400 – 630 nm: T _{min} > 90%
Blocking	UV - 365 nm: T _{abs} < 1.0% 700 - 1050 nm: T _{abs} < 0.5%
AR Coating	ULR

unmounted	filter glass	ID	mounted	filter	ID
19 mm	IFG BP 515-270 HT 19,0 2-0001	1082556	CMT	IF BP 515-270 HT CMT	1085675
27 mm	IFG BP 515-270 HT 27,0 2-0001	1082557	SH 25.5	IF BP 515-270 HT SH 25.5	1085984
34 mm	IFG BP 515-270 HT 34,0 2-0001	1082559	SH 27.0	IF BP 515-270 HT SH 27.0	
40 mm	IFG BP 515-270 HT 40,0 2-0001		SN1 30.5	IF BP 515-270 HT SN1 30.5	1085643
43 mm	IFG BP 515-270 HT 43,0 2-0001	1082560	SH 35.5	IF BP 515-270 HT SH 35.5	1088597
55 mm	IFG BP 515-270 HT 55,0 2-0001	1082561	SH 37.0	IF BP 515-270 HT SH 37.0	
64 mm	IFG BP 515-270 HT 64,0 2-0001	1082562	SH 39.0	IF BP 515-270 HT SH 39.0	1085512
			SH 40.5	IF BP 515-270 HT SH 40.5	1086294
			SH 43.0	IF BP 515-270 HT SH 43.0	1086235
			SH 46.0	IF BP 515-270 HT SH 46.0	1085029
			SH 49.0	IF BP 515-270 HT SH 49.0	
			SH 52.0	IF BP 515-270 HT SH 52.0	
			SH 55.0	IF BP 515-270 HT SH 55.0	1086895
			SH 58.0	IF BP 515-270 HT SH 58.0	
			SH 62.0	IF BP 515-270 HT SH 62.0	1084808
			SH 67.0	IF BP 515-270 HT SH 67.0	

UV IR Cut Filter BP 520-280 HT



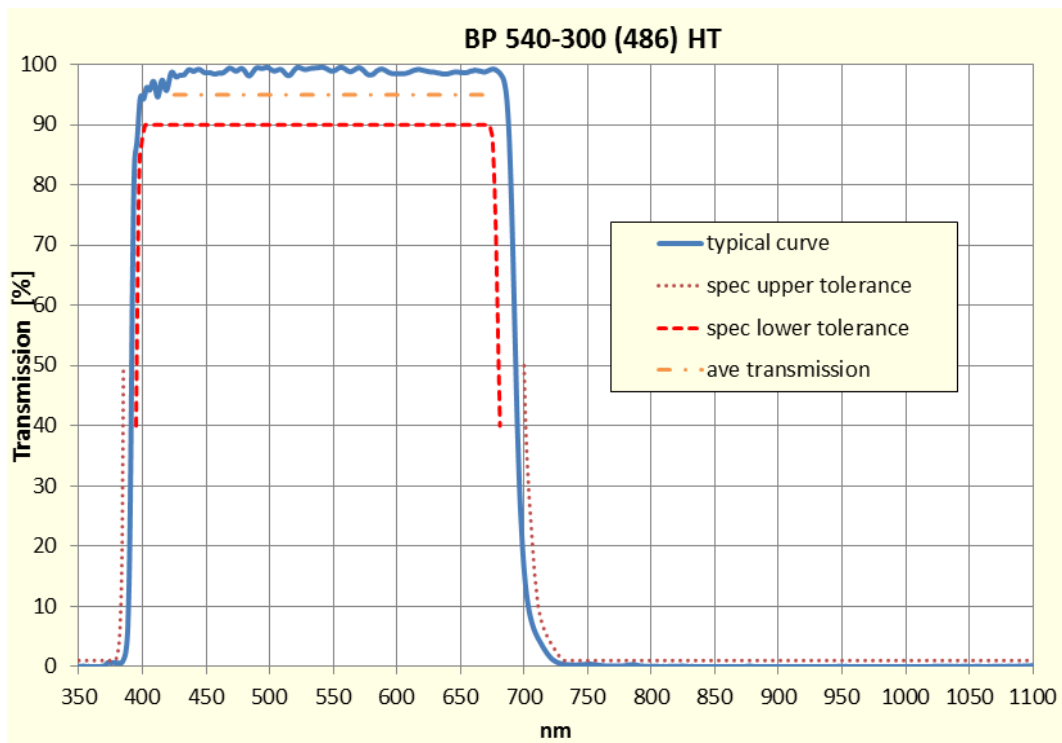
Technical specifications

according to ISO 10110

Angle of incident	0° +/- 8°
Wavelength range	380 +/- 5 nm to 660 +/- 7nm
Transmittance	410 - 640 nm: T _{ave} > 95% 410 - 640 nm: T _{min} > 90%
Blocking	UV - 365 nm: T _{abs} < 1.0% 710 - 1050 nm: T _{abs} < 1.5%
AR coating	ULR

unmounted	filter glass	ID	mounted	filter	ID
19 mm	IFG BP 520-280 HT 19,0 2-0001	1082564	CMT	IF BP 520-280 HT CMT	1085676
27 mm	IFG BP 520-280 HT 27,0 2-0001	1082565	SH 25.5	IF BP 520-280 HT SH 25.5	1089353
34 mm	IFG BP 520-280 HT 34,0 2-0001	1082566	SH 27.0	IF BP 520-280 HT SH 27.0	
40 mm	IFG BP 520-280 HT 40,0 2-0001	1085971	SN1 30.5	IF BP 520-280 HT SN1 30.5	1085644
43 mm	IFG BP 520-280 HT 43,0 2-0001	1082567	SH 35.5	IF BP 520-280 HT SH 35.5	
55 mm	IFG BP 520-280 HT 55,0 2-0001	1082568	SH 37.0	IF BP 520-280 HT SH 37.0	
64 mm	IFG BP 520-280 HT 64,0 2-0001	1082569	SH 39.0	IF BP 520-280 HT SH 39.0	
			SH 40.5	IF BP 520-280 HT SH 40.5	
			SH 43.0	IF BP 520-280 HT SH 43.0	
			SH 46.0	IF BP 520-280 HT SH 46.0	
			SH 49.0	IF BP 520-280 HT SH 49.0	
			SH 52.0	IF BP 520-280 HT SH 52.0	
			SH 55.0	IF BP 520-280 HT SH 55.0	
			SH 58.0	IF BP 520-280 HT SH 58.0	
			SH 62.0	IF BP 520-280 HT SH 62.0	
			SH 67.0	IF BP 520-280 HT SH 67.0	

UV IR Cut Filter BP 540-300 (486) HT



Technical specifications

according to ISO 10110

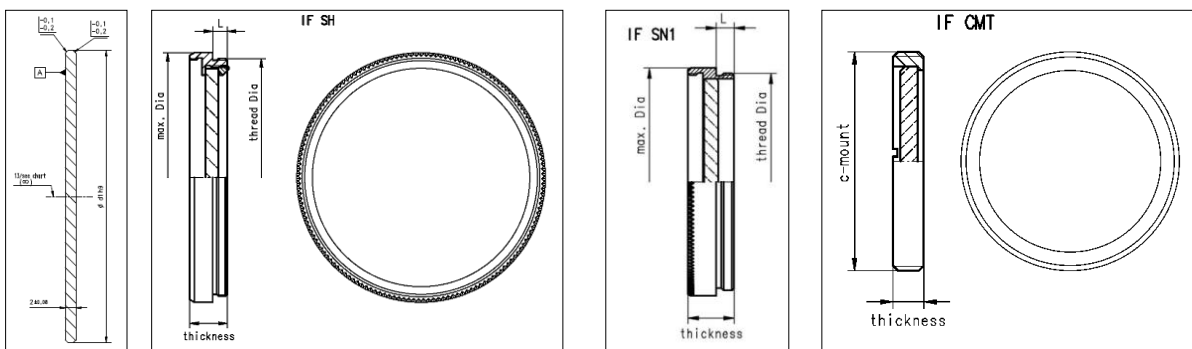
Angle of incident	0° +/- 8°
Wavelength range	390 +/- 5 nm to 690 +/- 7nm
Transmittance	425 - 670 nm: T _{ave} > 95% 405 - 670 nm: T _{min} > 90%
Blocking	UV - 350 nm: T < 0.5% 735 - 1100 nm: T _{ave} < 0.5% 735 - 1100 nm: T _{min} < 1.0%
AR coating	ULR

un-mounted	filter glass	ID	mounted	filter	ID
19 mm	IFG BP 540-300 (486) HT 19,0 2-0001	1082456	CMT	IF BP 540-300 (486) HT CMT	1085677
27 mm	IFG BP 540-300 (486) HT 27,0 2-0001	1082457	SH 25.5	IF BP 540-300 (486) HT SH 25.5	1085602
34 mm	IFG BP 540-300 (486) HT 34,0 2-0001	1082458	SH 27.0	IF BP 540-300 (486) HT SH 27.0	1085603
40 mm	IFG BP 540-300 (486) HT 40,0 2-0001		SN1 30.5	IF BP 540-300 (486) HT SN1 30.5	1085646
43 mm	IFG BP 540-300 (486) HT 43,0 2-0001	1082459	SH 35.5	IF BP 540-300 (486) HT SH 35.5	1085607
55 mm	IFG BP 540-300 (486) HT 55,0 2-0001	1082460	SH 37.0	IF BP 540-300 (486) HT SH 37.0	1087383
64 mm	IFG BP 540-300 (486) HT 64,0 2-0001	1082461	SH 39.0	IF BP 540-300 (486) HT SH 39.0	1085511
			SH 40.5	IF BP 540-300 (486) HT SH 40.5	1085604
			SH 43.0	IF BP 540-300 (486) HT SH 43.0	1085608
			SH 46.0	IF BP 540-300 (486) HT SH 46.0	1085030
			SH 49.0	IF BP 540-300 (486) HT SH 49.0	
			SH 52.0	IF BP 540-300 (486) HT SH 52.0	1056327
			SH 55.0	IF BP 540-300 (486) HT SH 55.0	1090973
			SH 58.0	IF BP 540-300 (486) HT SH 58.0	1085605
			SH 62.0	IF BP 540-300 (486) HT SH 62.0	1085606
			SH 67.0	IF BP 540-300 (486) HT SH 67.0	1085058

UV IR Cut Filter

Next to the standard sizes we offer more on request. Schneider-Kreuznach provides professional highly accurate μ water jet cutting capability. This technology allows cutting almost any needed shape. More mounted diameters are available for high volume on request.

See also Schneider-Kreuznach bandpass filters.



Contact

Jos. Schneider Optische Werke GmbH
 Ringstraße 132
 55543 Bad Kreuznach
 Germany
 Phone +49 671 601-205
 Fax +49 671 601-81-205
www.schneiderkreuznach.com
industrie@schneiderkreuznach.com

Schneider Optical Technologies Co., Ltd.
 Rm. A505 Yingdali Science Park, Hongmian Rd.,
 Futian Free Trade Zone, Shenzhen 518038,
 P.R. China
 Phone: +86 755 88 32 11 70
 Fax: +86 755 88 32 11 75
www.schneiderkreuznach.com
info@schneider-asiapacific.com

Schneider Optics Inc.
 285 Oser Ave.
 Hauppauge, NY 11788
 USA
 Phone +1 631 761-5000
 Fax +1 631 761-5090
www.schneideroptics.com
oem@schneideroptics.com